

BIRD'S NEST SWING SEAT



CERTIFICADORA ACREDITADA POR ENAC '6

UNE-EN 1176-1:2018

EN 1176-1:2017

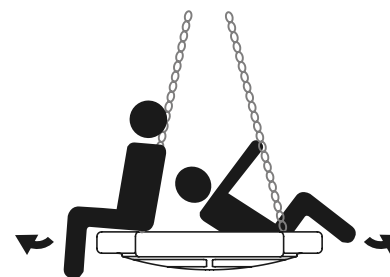
Bird's Nest seat for swing designed under the EN 1176-1:2017 standard and suitable for accessible parks according to the Spanish order TMA/851/2021.

- recommended age: 3-14 años
- Maximum weight: 280 kg
- Drain hole
- pads bumper
- Made of ecological rotomolded polyethylene

Universally accessible



Multiuser



Security chains

Cardan joints not supplied



AVAILABLE COLORS:



PURO RECYCLED
RAL 9011

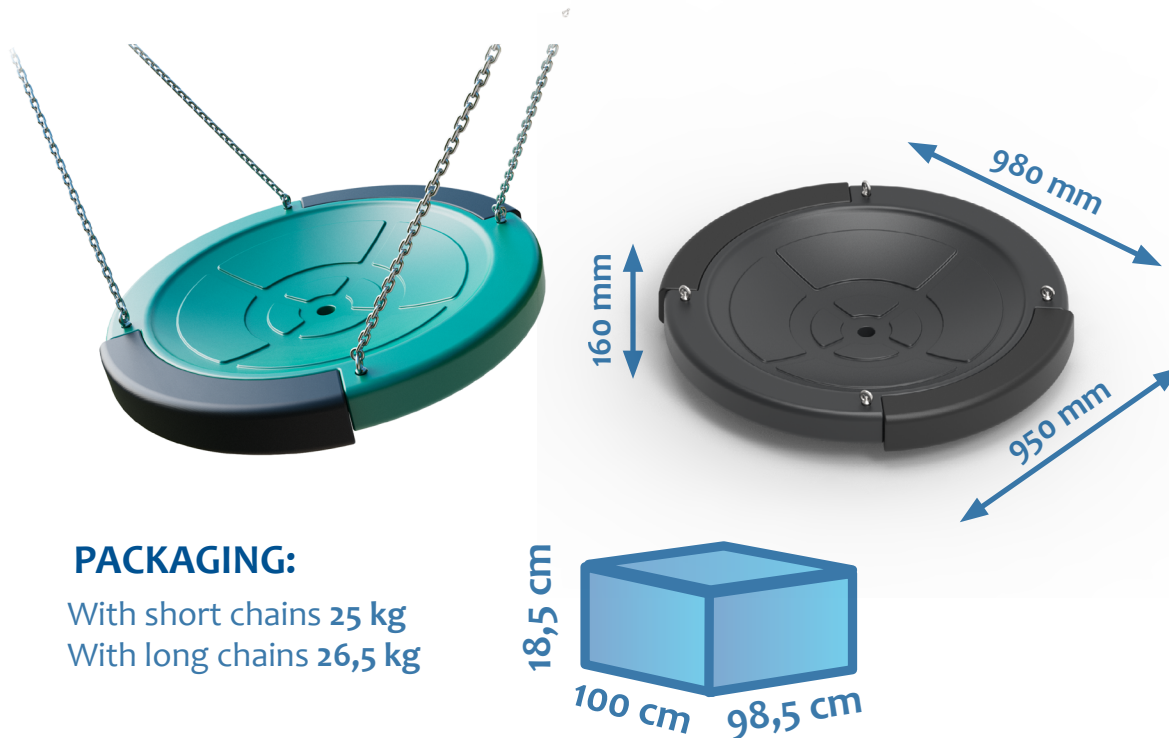
BLUE
RAL 5001
30% RECYCLED

GREEN
RAL 6026
30% RECYCLED

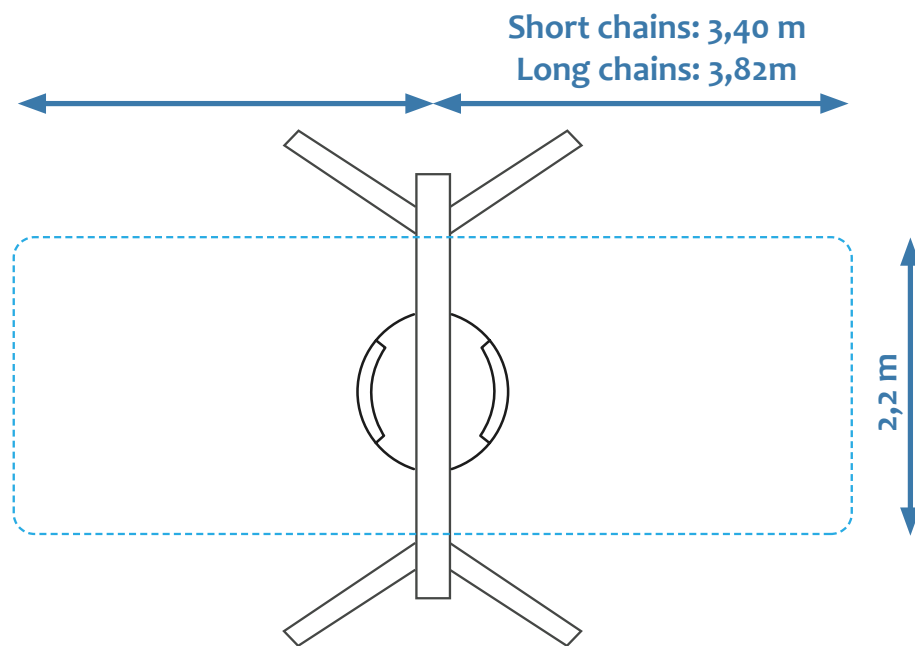
Molder Disnova Composites
www.molderdisnova.com



BIRD'S NEST SWING SEAT



SAFETY AREA:



* Height with short chains: 1485 mm
 Height with long chains: 1965 mm

